

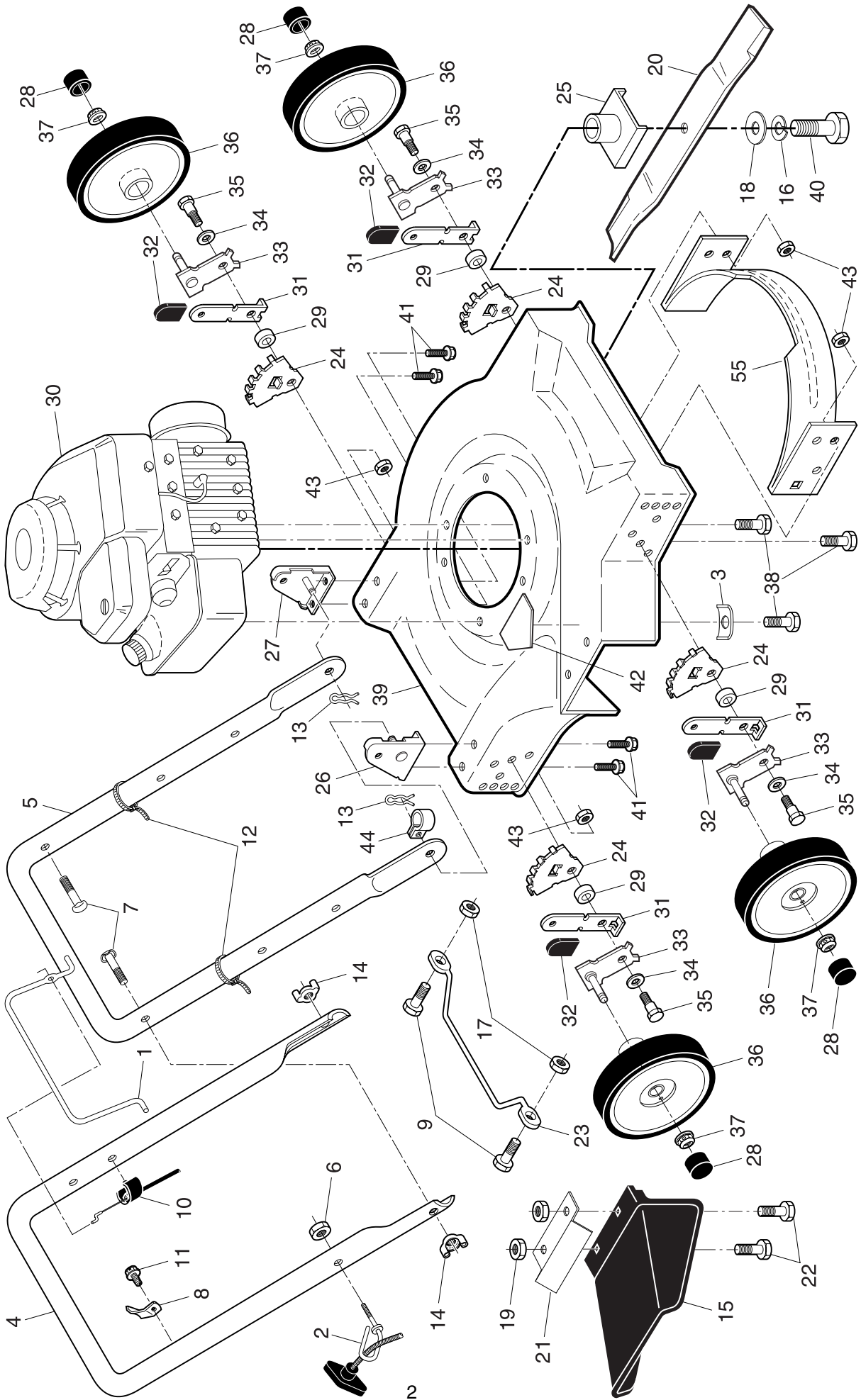
**ILLUSTRATED PARTS LIST**

**CUSTOMER MODEL NUMBER P350QS**

**PRODUCT NUMBER 961 11 00-07**

**MFG. ID. NUMBER 96111000700**

ROTARY LAWN MOWER -- CUSTOMER MODEL NUMBER P350QS (96111000700) PRODUCT NO. 961 11 00-07



**ROTARY LAWN MOWER - - CUSTOMER MODEL NUMBER P350QS (96111000700) PRODUCT NO. 961 11 00-07**

| KEY NO. | PART NO.     | DESCRIPTION                 | KEY NO. | PART NO.     | DESCRIPTION   |
|---------|--------------|-----------------------------|---------|--------------|---|
| 1       | 532 19 60-25 | Control Bar                 | 25      | 532 85 09-77 | Blade Adapter   |
| 2       | 532 17 95-85 | Rope Guide                  | 26      | 532 17 09-75 | Handle Bracket Assembly, RH   |
| 3       | 532 12 50-78 | Engine Washer               | 27      | 532 17 09-77 | Handle Bracket Assembly, LH   |
| 4       | 532 19 60-26 | Upper Handle                | 28      | 532 80 00-90 | Hubcap  |
| 5       | 532 15 50-44 | Lower Handle                | 29      | 532 14 66-30 | Spacer  |
| 6       | 873 80 04-00 | Nut, Hex                    | 30      | - - -        | Engine, Briggs & Stratton, Model Number 9D902<br>(order parts from engine manufacturer) |
| 7       | 532 19 15-74 | Handle Bolt 5/16-18 x 1-3/4 | 31      | 532 14 17-30 | Selector Spring   |
| 8       | 532 12 52-03 | Up-Stop Bracket             | 32      | 532 08 78-77 | Selector Knob   |
| 9       | 532 08 58-25 | Screw                       | 33      | 532 14 98-57 | Axle Arm Assembly   |
| 10      | 532 16 27-78 | Engine Zone Control Cable   | 34      | 532 06 23-35 | Belleville Washer   |
| 11      | 532 75 06-34 | Nut, Hex                    | 35      | 532 14 27-48 | Shoulder Bolt   |
| 12      | 532 06 64-26 | Wire Tie                    | 36      | 532 80 00-60 | Wheel & Tire Assembly   |
| 13      | 532 05 17-93 | Hairpin Cotter              | 37      | 532 08 39-23 | Nut, Hex  |
| 14      | 532 12 86-38 | Wing Nut, Steel             | 38      | 532 15 04-06 | Hex Head Thread Rolling Screw 3/8-16 x 1-1/8  |
| 15      | 532 75 20-52 | Discharge Guard             | 39      | 532 19 04-38 | Lawn Mower Housing  |
| 16      | 532 85 02-63 | Helical Lockwasher 3/8      | 40      | 532 85 10-84 | Hex Head Screw 3/8-24 x 1-3/8 Grade 8   |
| 17      | 532 06 91-80 | Nut, Hex                    | 41      | 532 14 97-41 | Thread Cutting Screw 5/16-18 x 3/4  |
| 18      | 532 85 10-74 | Hardened Washer             | 42      | 532 18 21-66 | Danger Decal  |
| 19      | 532 13 20-04 | Nut, Hex                    | 43      | 532 75 15-92 | Locknut, Hex 3/8-16   |
| 20      | 532 14 51-06 | Blade, 20"                  | 44      | 532 19 27-70 | Clip, Cable   |
| 21      | 532 16 22-34 | Hold Down Bracket           | 45      | 532 14 15-19 | Front Baffle  |
| 22      | 874 76 04-12 | Bolt                        | - -     | 532 14 15-20 | Rear Baffle (not shown)   |
| 23      | 532 15 41-47 | Footguard                   | - -     | 532 19 56-91 | Operator's Manual, European   |
| 24      | 532 13 99-01 | Wheel Adjusting Bracket     | - -     | 532 19 56-92 | Operator's Manual, Scandinavian   |

**NOTE:** All component dimensions given in U.S. inches. 1 inch = 25.4 mm. **IMPORTANT:** Use only Original Equipment Manufacturer (O.E.M.) replacement parts. Failure to do so could be hazardous, damage your lawn mower and void your warranty.